



APPLICATION

- For all seagoing vessels with a length less than 20 metres
- For small vessels in Rhine and (European) Inland navigation
- As signalling light for all vessels in Rhine and (European) inland navigation

MATERIALS

- Matt black polycarbonate, reinforced with fibreglass
- Corrosion-free, seawater resistant, non-magnetic
- Fresnel polycarbonate lens, shock resistant

WIRING

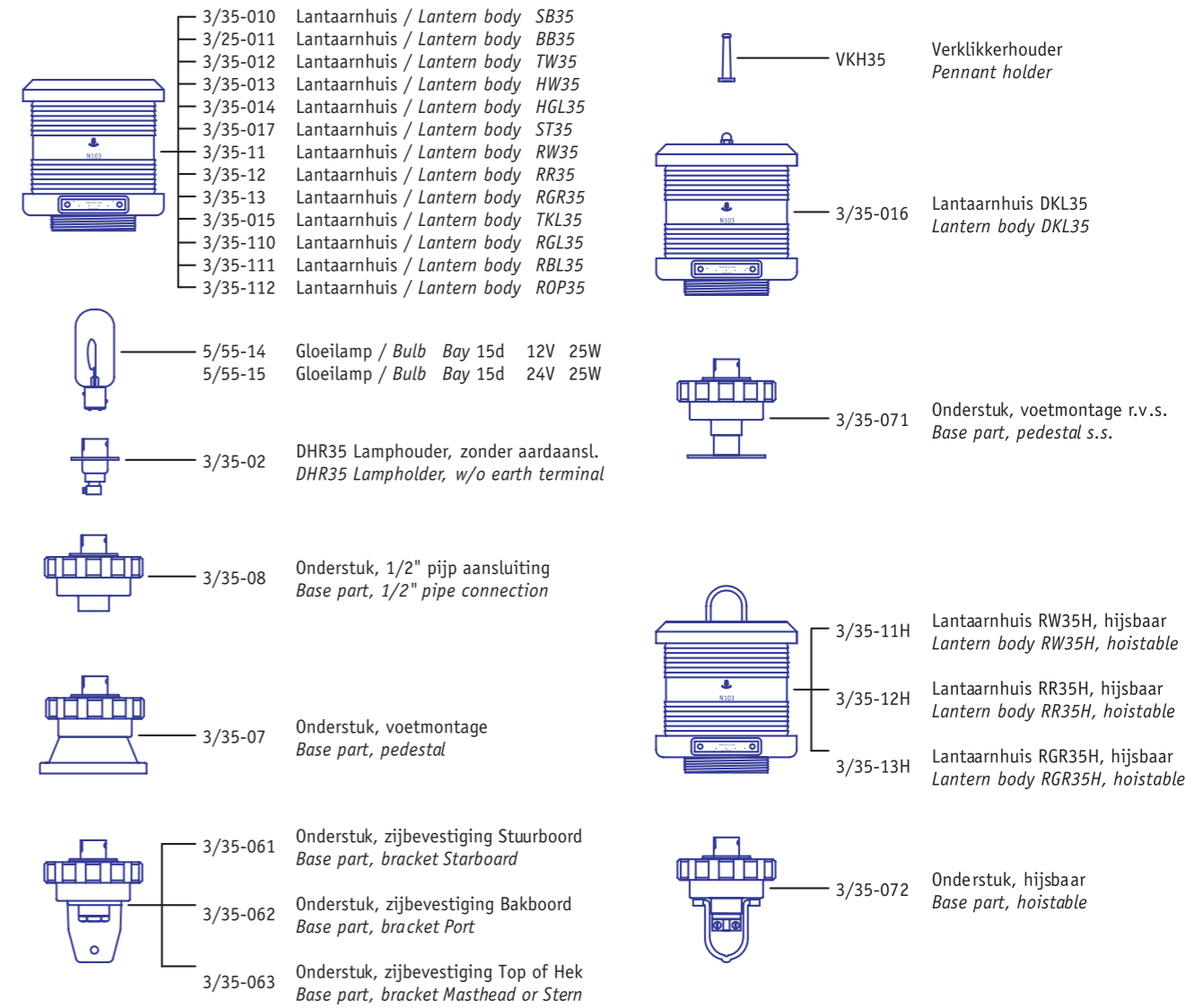
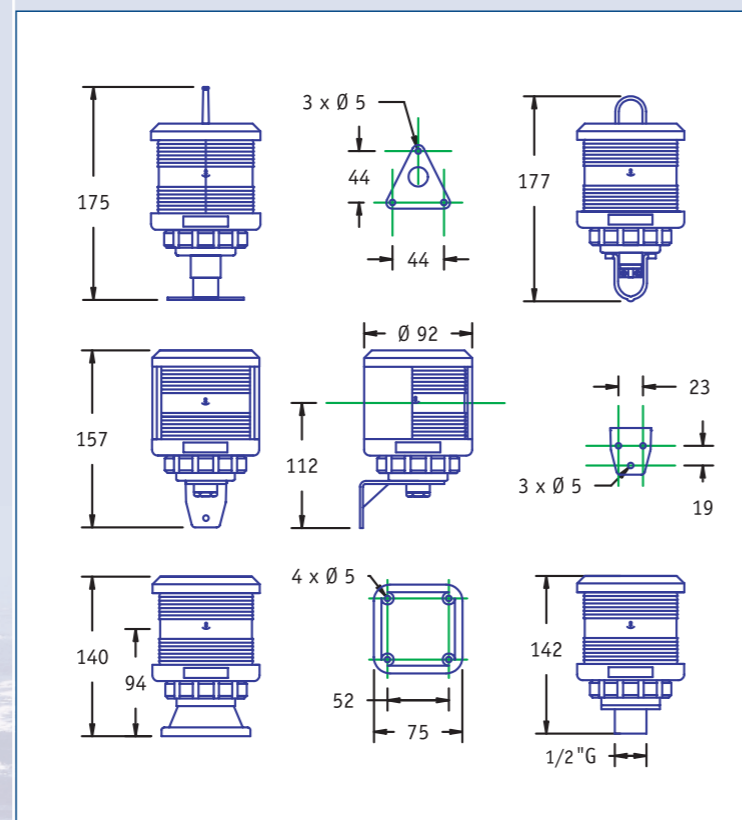
Cable gland Pg9, from below

PROTECTION CLASS

IPX6

MOUNTING

- Base or bracket mounting for sector lights
- Base, pipe mounting or hoisting for all-round lights



Soort Sector	Type Sectional	ART. CODE			KG	Goedkeuring Approval	Min. zichtbaarheid Min. Visibility
		Voetbev. Base	Zijbev. Bracket				
Stuurboord	Starboard	SB35V	SB35Z		0.3	COLREG'72 - RPR/BPR	2 N.M.
Bakboord	Port	BB35V	BB35Z		0.3	COLREG'72 - RPR/BPR	2 N.M.
Top	Masthead	TW35V	TW35Z		0.3	COLREG'72 - RPR/BPR	3 N.M.
Hek	Stern	HW35V	HW35Z		0.3	COLREG'72 - RPR/BPR	2 N.M.
Sleep	Towing	HGL35V	HGL35Z		0.3	COLREG'72 - RPR/BPR	2 N.M.
Tweekleur	Bi-colour	TKL35V	TKL35Z		0.3	COLREG'72 - RPR/BPR	2 N.M.
Driekleur	Tri-colour	DKL35V	-		0.3	COLREG'72 - RPR/BPR	2 N.M.
Stuurlicht	Direction light	-	ST35Z		0.3	-	-
Rondschr.	All-round	Pijp Pipe	Voetbev. Base	Hijsbaar Hoistable	KG	Goedkeuring Approval	Min. zichtbaarheid Min. Visibility
Wit	White	RW35P	RW35V	RW35H	0.3	COLREG'72 - RPR/BPR	2 N.M.
Rood	Red	RR35P	RR35V	RR35H	0.3	COLREG'72 - RPR/BPR	2 N.M.
Groen	Green	RGR35P	RGR35V	RGR35H	0.3	COLREG'72 - RPR/BPR	2 N.M.
Geel	Yellow	RGL35P	RGL35V	RGL35H	0.3	COLREG'72 - RPR/BPR	2 N.M.
Blauw	Blue	RBL35P	RBL35V	RBL35H	0.3	- RPR/BPR	2 N.M.