

**FH380 Issue 5
Metal Halide – 1200 w
Manual Control**



APPLICATION

The FRANCIS FH range of searchlights incorporate the design features required to successfully operate searchlights in the most demanding product operating environments on land and sea. These units are particularly suitable for use on patrol Craft, custom vessels and security installations.

DESPATCH NUMBERS

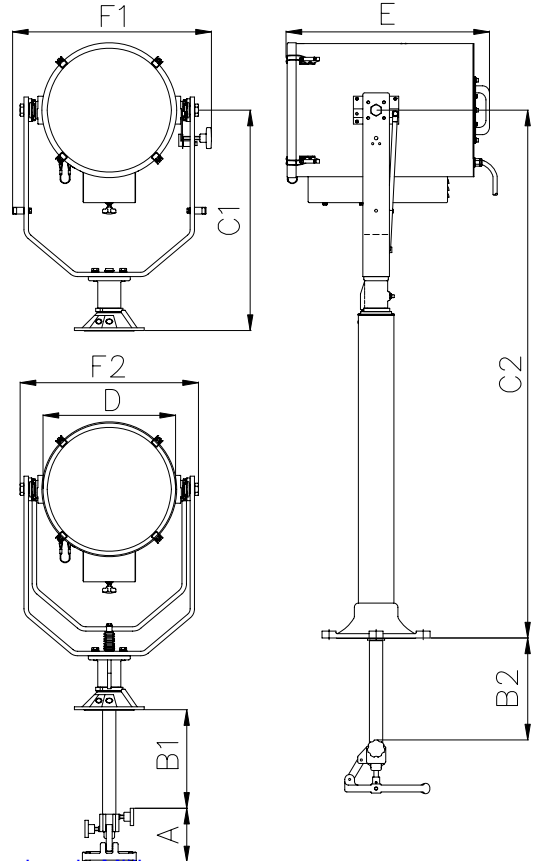
Type	Supply	L/holder	Despatch Number
FH380 Deck	240v	G38	A2872
FH380 Cabin	240v	G38	A2873
FH380 Deck Ped.	240v	G38	A2874
FH380 Cabin Ped.	240v	G38	A2875

SPECIFICATION

- All brass construction.
- Stove enamel painted.
- Parabolic glass reflector.
- Instant lamp re-strike. No cooling down time required.
- External lamp focus adjustment (2° spot and 18° flood)
- Remote focus mechanism available upon request
- Toughened front glass and Captive bezel / glass
- Light shield to prevent unwanted glare & stray light
- Searchlight protected to IP 56
- Control gear protected to IP66.
- Special "B" & "C" dimensions available on request.
- Full 360° rotation.
- Vertical movement +37° to - 37° Deck/Deck Ped
- Vertical movement +30° to - 40° Cabin/Cabin Ped
- Luminous flux 110,000.
- Colour temperature 6,000 K.

Performance Data * Inclusive angle

Volt's	Lamp life	Range (m)	PBCP x1000	*Div	Watts	Lamp Cap	Despatch Number
240v	1000 hrs	5805	33,700	2	1200	G38	D15746



All dimensions in Millimetres

Weights:

Deck	32.4 Kg	Deck Pedestal	36.4 Kg
Cabin	34.9 Kg	Cabin Pedestal	38.4 Kg
Control Gear (500 x 400 x 210)			22.2 Kg

Deck & Cabin. 3 holes Ø11.0 on a 174 PCD
 Deck Ped. & Cabin Ped 4 holes Ø12.5 on a 270 PCD
 Cabin & Cabin Ped. Central hole Ø53

Dimensions

A	B1	B2	C1	C2	D	E	F1	F2
154	283	291	633	1513	380	584	571	512