



APPLICATION

The **FRANCIS FR** range of searchlights incorporate the design features required to successfully operate searchlights in the most demanding product operating environments on land and sea.

These units are particularly suitable for smaller boats, fishing vessels, police launches, coast guard vessels, larger leisure craft and certain military vehicles.

PART NUMBERS

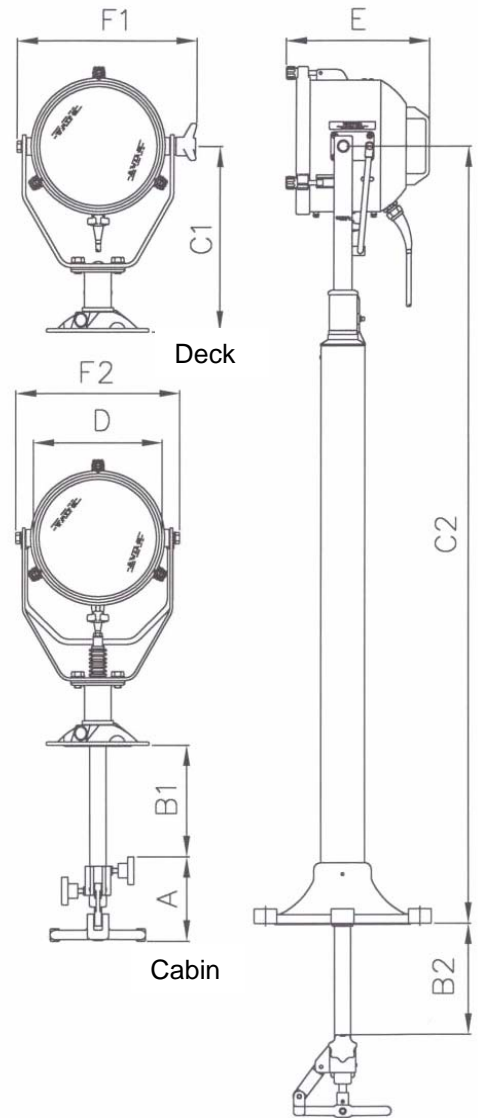
Type	Supply	L/holder	Part Number
FR230 Deck	12/24v	GX6.35	A2808
FR230 Cabin	12/24v	GX6.35	A2810
FR230 Deck Ped.	12/24v	GX6.35	A2807
FR230 Cabin Ped.	12/24v	GX6.35	A2809
FR230 Deck	110/240v	GX6.35	A2897
FR230 Cabin	110/240v	GX6.35	A2902
FR230 Deck Ped.	110/240v	GX6.35	A2904
FR230 Cabin Ped.	110/240v	GX6.35	A2903

SPECIFICATION

- All brass construction.
- Parabolic glass reflector.
- Stove enamel painted. (Optional chrome finish)
- External lamp focus adjustment.
- Toughened front glass.
- Captive bezel / glass.
- Light shield to prevent unwanted glare & stray light.
- Tungsten Halogen lamps.
- Enclosure protection to IP 56.
- Special "B" & "C" dimensions available on request.
- Full 450° rotation.
- Vertical movement +35° to - 30°.

Performance Data * Inclusive angle

Volt's	Lamp life	Range (m)	PBCP x1000	*Div	Watts	Lamp Cap	Lamp part Number
12v	2000 hrs	643	414	2	100	GX6.35	D9848
24v	300 hrs	784	614	2	150	GX6.35	D14795
24v	2000 hrs	910	828	2	250	GX6.35	D4695
24v	300 hrs	1095	1200	2	250	GX6.35	D9851
120v	150hrs	912	832	4.9	300	GX6.35	D16883
230v	75 hrs	888	790	4.9	300	GX6.35	D16841



Cabin Pedestal

All dimensions in Millimetres

Base fixings

3 holes Ø11 on a 154 PCD (Deck and cabin)
 4 holes Ø12.5 on a 270 PCD (Deck pedestal and Cabin pedestal).
 Cabin & Cabin Pedestal, central hole Ø40

Dimensions

A	B1	B2	C1	C2	D	E	F1	F2
150	185	180	323	1355	230	251	316	288

Weights

Deck	Cabin	Deck Pedestal	Cabin Pedestal
9.80 Kg	12.10 Kg	14.90 Kg	17.10 Kg