



APPLICATION

The **FRANCIS FR Premium** range of searchlights incorporate the design features required to successfully operate searchlights in the most demanding product operating environments on land and sea.

These units are particularly suitable for smaller boats, fishing vessels, police launches, coast guard vessels, larger leisure craft and certain military vehicles.

PART NUMBERS

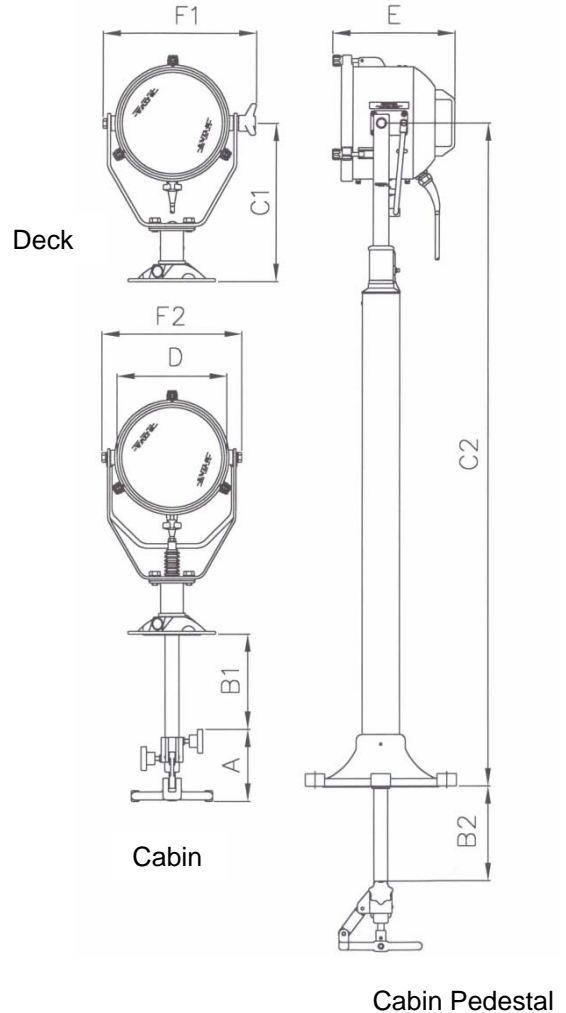
Type	Supply	L/holder	Part Number
FR280 Deck	12/24v	GX6.35	A2812
FR280 Cabin	12/24v	GX6.35	A2814
FR280 Deck Ped.	12/24v	GX6.35	A2811
FR280 Cabin Ped.	12/24v	GX6.35	A2813
FR280 Deck	110/240v	GX6.35	A2898
FR280 Cabin	110/240v	GX6.35	A2905
FR280 Deck Ped.	110/240v	GX6.35	A2907
FR280 Cabin Ped.	110/240v	GX6.35	A2906

SPECIFICATION

- All brass construction.
- Parabolic glass reflector.
- Stove enamel painted. (Optional chrome finish)
- External lamp focus adjustment.
- Toughened front glass.
- Captive bezel / glass.
- Light shield to prevent unwanted glare & stray light.
- Tungsten Halogen lamps.
- Enclosure protection to IP 56.
- Special "B" & "C" dimensions available on request.
- Full 450° rotation.
- Vertical movement +35° to - 30°.

Performance Data * Inclusive angle

Volt's	Lamp life	Range (m)	PBCP x1000	*Div	Watts	Lamp Cap	Lamp Part Number
12v	2000 hrs	933	871	3	100	GX6.35	D9848
24v	300 hrs	960	921	3	150	GX6.35	D14795
24v	2000 hrs	1114	1242	3	250	GX6.35	D4695
24v	300 hrs	1360	1800	3	250	GX6.35	D9851
120v	150 hrs	1150	1323	4.7	300	GX6.35	D16883
230v	75 hrs	1200	1250	4.7	300	GX6.35	D16841



All dimensions in Millimetres

Base fixings

3 holes Ø11 on a 154 PCD (Deck and cabin)
 4 holes Ø12.5 on a 270 PCD (Deck pedestal and Cabin pedestal).
 Cabin & Cabin Pedestal, central hole Ø40

Dimensions

A	B1	B2	C1	C2	D	E	F1	F2
150	185	180	385	1378	280	244	362	337

Weights

Deck	Cabin	Deck Pedestal	Cabin Pedestal
12.80 Kg	14.60 Kg	16.40 Kg	18.60 Kg