



APPLICATION

The **FRANCIS FR PREMIUM** range of searchlights incorporate the design features required to successfully operate searchlights in the most demanding product operating environments on land and sea. These units are particularly suitable for use on tugs, small cargo vessels, also for bridge wing docking and navigation lights on larger vessels, security and guard towers.

PART NUMBERS

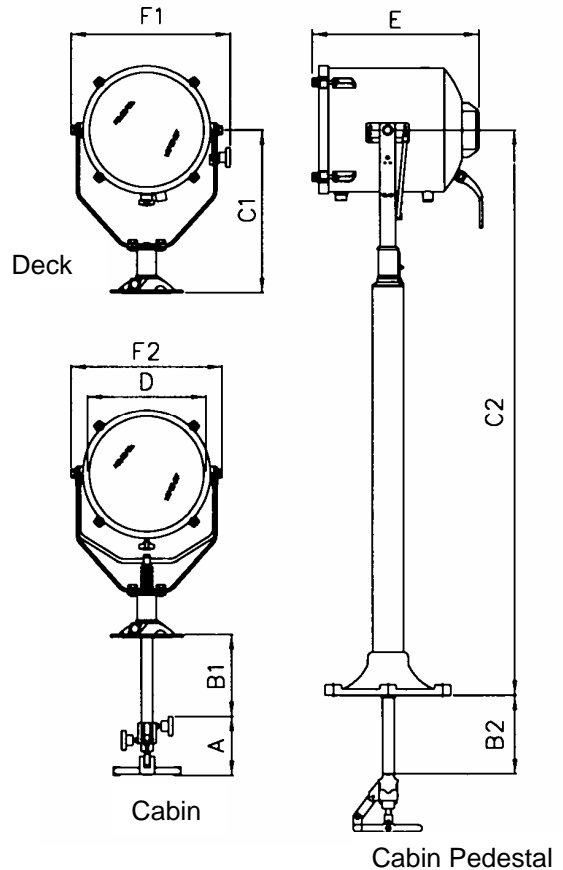
Type	Supply	L/holder	Part Number
FR300 Deck	12/24v	GX6.35	A2816
FR300 Cabin	12/24v	GX6.35	A2818
FR300 Deck Ped.	12/24v	GX6.35	A2815
FR300 Cabin Ped.	12/24v	GX6.35	A2817
FR300 Deck	110/240v	GX9.5	A2824
FR300 Cabin	110/240v	GX9.5	A2826
FR300 Deck Ped.	110/240v	GX9.5	A2823
FR300 Cabin Ped.	110/240v	GX9.5	A2825

SPECIFICATION

- All brass construction.
- Parabolic glass reflector.
- Stove enamel painted.
- External lamp focus adjustment.
- Toughened front glass.
- Captive bezel / glass.
- Light shield to prevent unwanted glare & stray light.
- Tungsten Halogen lamps.
- Enclosure protection to IP 56
- Special "B" & "C" dimensions available on request.
- Full 450° rotation.
- Vertical movement +45° to - 25°.

Performance Data * Inclusive angle

Volt's	Lamp life	Range (m)	PBCP x1000	* Div	Watts	Lamp Cap	Lamp Part Number
12v	2000 hrs	972	944	2	100	GX6.35	D9848
24v	300 hrs	1055	1113	2	150	GX6.35	D14795
24v	2000 hrs	1238	1532	3	250	GX6.35	D4695
24v	300 hrs	1490	2220	3	250	GX6.35	D9851
230v	750 hrs	905	820	5	650	GX9.5	D1813
115v	750 hrs	1000	1000	5	1000	GX9.5	D1809
230v	750 hrs	970	940	5	1000	GX9.5	D6715



All dimension in Millimetres

Base fixings

Deck & Cabin. 3 holes Ø11.0 on a 154 PCD
 Deck Ped. & Cabin Ped 4 holes Ø12.5 on a 270 PCD
 Cabin & Cabin Ped. Central hole Ø40

Dimensions

A	B1	B2	C1	C2	D	E	F1	F2
150	185	180	403	1395	300	411	395	374

Weights

Deck	Cabin	Deck Pedestal	Cabin Pedestal
15.5 Kg	17.8 Kg	19.4 Kg	21.6 Kg