



FR380 Issue 4
Tungsten Halogen
Manual control

APPLICATION

The FRANCIS FR PREMIUM range of searchlights incorporate the design features required to successfully operate searchlights in the most demanding product operating environments on land and sea. These units are particularly suitable for larger vessels, Security, guard towers, Passenger or cargo ferries, container ships and bulk liquid or gas carriers.

PART NUMBERS

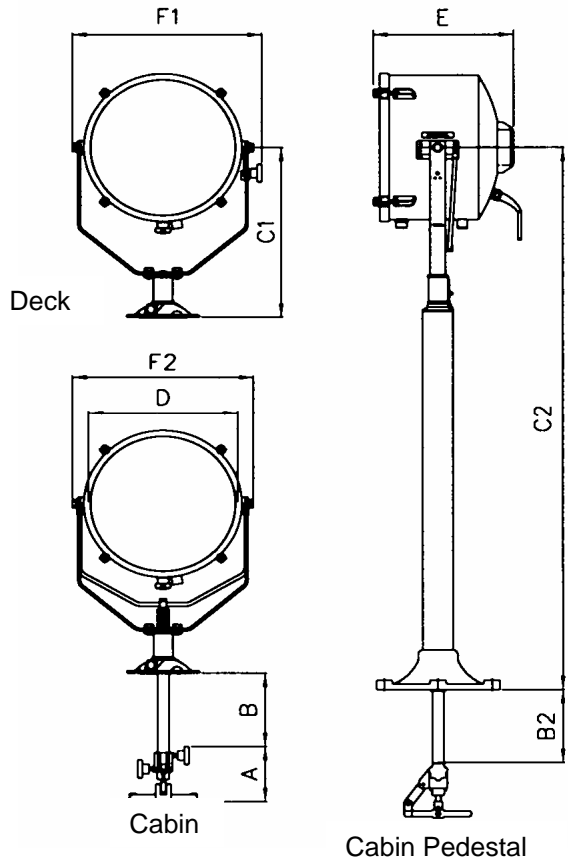
Type	Supply	L/holder	Part Number
FR380 Deck	12/24v	GX6.35	A2820
FR380 Cabin	12/24v	GX6.35	A2822
FR380 Deck Ped.	12/24v	GX6.35	A2819
FR380 Cabin Ped.	12/24v	GX6.35	A2821
FR380 Deck	110/240v	GX9.5	A2828
FR380 Cabin	110/240v	GX9.5	A2830
FR380 Deck Ped.	110/240v	GX9.5	A2827
FR380 Cabin Ped.	110/240v	GX9.5	A2829

SPECIFICATION

- All brass construction.
- Parabolic glass reflector.
- Stove enamel painted.
- External lamp focus adjustment.
- Toughened front glass.
- Captive bezel / glass.
- Light shield to prevent unwanted glare & stray light.
- Tungsten Halogen lamps.
- Enclosure protection to IP 56
- Special "B" & "C" dimensions available on request.
- Full 450° rotation.
- Vertical movement +45° to - 25°.

Performance Data * Inclusive angle

Volt's	Lamp life	Range (m)	PBCP x1000	*Div	Watts	Lamp Cap	Lamp Part Number
24v	300 hrs	1311	1718	2	150	GX6.35	D14795
24v	2000 hrs	1390	1932	3	250	GX6.35	D4695
24v	300 hrs	1673	2800	3	250	GX6.35	D9851
230v	750 hrs	1114	1240	5	650	GX9.5	D1813
115v	750 hrs	1249	1560	5	1000	GX9.5	D1809
230v	750 hrs	1210	1465	5	1000	GX9.5	D6715



All dimensions in Millimetres

Base fixings

Deck & Cabin. 3 holes Ø11.0 on a 154 PCD
Deck Ped. & Cabin Ped 4 holes Ø12.5 on a 270 PCD
Cabin & Cabin Ped. Central hole Ø40

Dimensions

A	B1	B2	C1	C2	D	E	F1	F2
150	185	180	450	1442	380	351	470	450

Weights

Deck	Cabin	Deck Pedestal	Cabin Pedestal
18.2 Kg	20.5 Kg	22.1 Kg	24.4 Kg