



FR480RC Issue 5
Halogen, Remote
Control, Variable Speed

APPLICATION

The new FRANCIS FR range of variable speed Remote Controlled Searchlights incorporate the design features required to successfully operate searchlights in the most demanding product operating environments on land and sea. Francis Searchlights have redesigned and improved the remote controlled Searchlight still further by adding full variable speed as a standard option at no extra cost.

The FR480RC has excellent illumination characteristics, a powerful, focusable beam and is suitable for use on larger commercial vessels and as a bridge wing projector.

PART NUMBERS

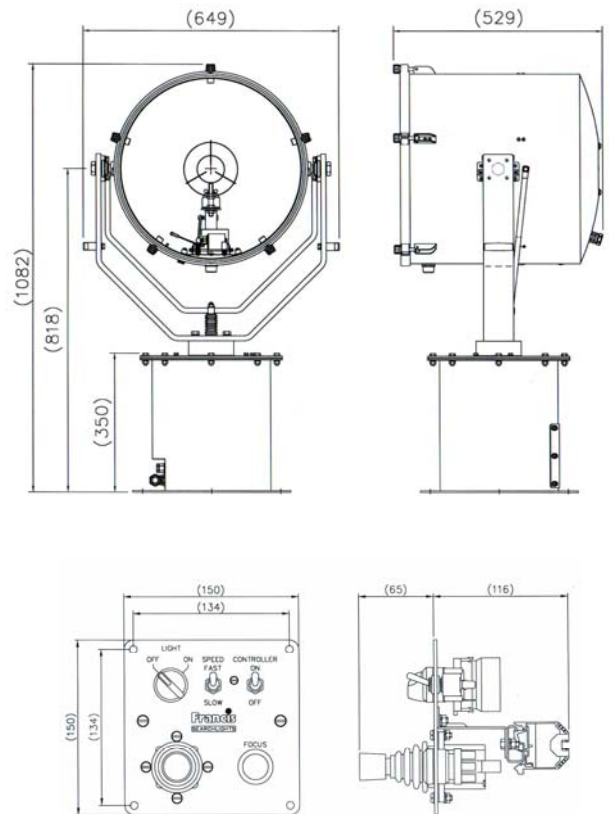
Type	Supply	L/holder	Part Number
FR480RC 1Kw	115/240v	GX9.5	A2655
FR480RC 2Kw	115/240v	GY16	A2317

SPECIFICATION

- Lamp life 750 hrs for 1Kw and 400 hours 2Kw.
- Constructed from marine grade materials and fixings.
- Parabolic form, polished glass, lead backed mirror.
- Toughened front glass.
- Stove enamel paint finish.
- Sealing to IP66 Gearbox – IP56 Searchlight
- Tungsten Halogen light source.
- Remote focus fitted as standard.
- Variable speed joystick control panel supplied
- Variable Rotation Speed 1 to 20°/sec (Pan)
- Variable Elevation Speed 1 to 10°/sec (Tilt).
- Remote elevation control ±20° - Pan rotation 385°.
- Operational temperature -20°C.
- Heaters can be installed to allow operation to -50°C.

PERFORMANCE DATA * inclusive angle

Volts	Range (m)	PBCP x 1000	Div*	Watts	Lamp Cap	Lamp Part Number
120v	1533	2351	6.5	2000	GY16	D20390
230v	1643	2701	6.5	2000	GY16	D20236
120v	1440	2073	5	1000	GX9.5	D1809
230v	1441	2078	5	1000	GX9.5	D6715



All Dimensions in Millimeters

BASE FIXING DETAILS:
4 HOLES 12.5 DIA EQUI- SPACED
ON A 350mm PCD

Weight 56.5 Kg