



APPLICATION

The FRANCIS Lite range of searchlights incorporate the design features required to successfully operate searchlights in the most demanding product operating environments on land and sea.

The L300 has excellent illumination characteristics, a powerful, focusable beam and is suitable for use on works boats, smaller cargo vessels and bridge wing projectors.

PART NUMBERS

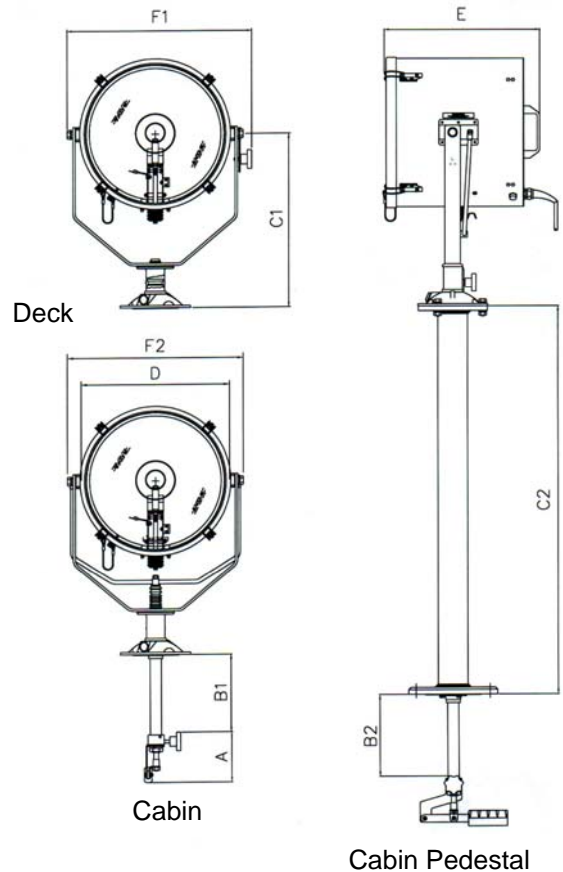
Type	Part Number
L300 Deck 12/24v	A2960
L300 Deck 110/240v	A2940
Cabin Control Assembly	C20624-01
Deck Pedestal	C20719-79
Cabin Pedestal Assembly	C20669-01

SPECIFICATION

- Constructed from 304 stainless steel.
- Parabolic formed aluminium reflector.
- Powder coated finish.
- External lamp focus adjustment.
- Toughened front glass.
- Spill rings to prevent unwanted glare & stray light.
- Tungsten Halogen light source.
- Sealing to IP66.
- Special "B1", "B2" & "C2" dimensions available on request.
- Full 450° rotation.
- Vertical movement +45° to - 45° (Deck/Deck Ped).
- Vertical movement +30° to - 25° (Cabin/Cabin Ped).
- Supplied in modular form to allow the customer any configuration possibility.

Performance Data * Inclusive angle

Volt's	Lamp Life hrs	Range (m)	PBCP x1000	*Div	Watts	Lamp Cap	Lamp Part Number
12v	2000	972	944	2	100	GX6.35	D9848
24v	300	1055	1113	2	150	GX6.35	D14795
24v	2000	1238	1532	3	250	GX6.35	D4695
24v	300	1490	2220	3	250	GX6.35	D9851
230v	750	905	820	5	650	GX9.5	D1813
115v	750	1000	1000	5	1000	GX9.5	D1809
230v	750	970	940	5	1000	GX9.5	D6715



All Dimensions in Millimetres

Base fixings

Deck & Cabin. 3 holes Ø11 on a 154 PCD
 Deck Ped. & Cabin Ped 4 holes Ø12.5 on a 190 PCD
 Cabin & Cabin Ped. Central hole Ø75

Dimensions

A	B1	B2	C1	C2	D	E	F1	F2
130	199	211	403	1004	300	399	398	376

Weights

L300 Deck	11.8 Kgs
Cabin Control Assembly	2.30 Kgs
Deck Pedestal	4.60 Kgs
Cabin Pedestal Assembly	3.30 Kgs