



L300RC Explorer
Issue 2 Halogen
Remote Control

APPLICATION

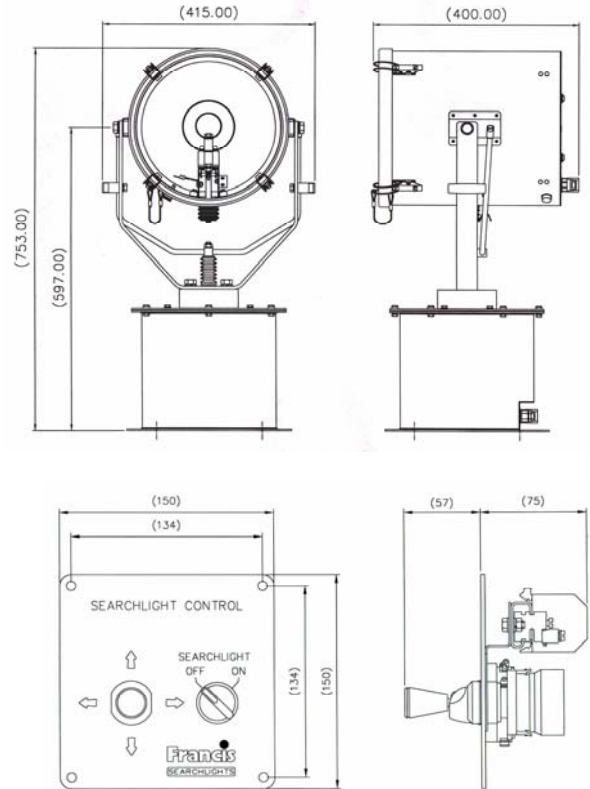
The FRANCIS EXPLORER Range of Remote Control searchlights has been designed with the precise aim of bringing to the market, the ultimate searchlight able to guarantee high performance, strength and affordability. The L300RC Explorer has been carefully developed to withstand the extraordinary conditions while in use in the harshest of environment, such as Coast Guard patrol. The heavy duty gearbox is strong, powerful and able to operate in the rough seas and high strength winds as found in coastal areas such as Canada and Scandinavia. This range now also has the added benefit of a heater fitted to The gearbox as standard, allowing an operation temperature of up to -50 °c.

PART NUMBERS

Type	Supply	Part Number
L300 RC24v	A2527	
L300 RC 115/240v	A2528	

SPECIFICATION

- Constructed from stainless steel.
- Parabolic formed aluminium reflector.
- Stove enameled paint finish.
- Toughened front glass.
- Spill rings to prevent unwanted glare & stray light.
- Tungsten Halogen light source.
- Searchlight and gearbox protection to IP66.
- Remote pan rotation 365°. Remote elevation control ±25°.
- Rotation speed 20°/sec. Elevation speed 5°/sec.
- Joystick control panel supplied.
- Operation temperature range -50°C.
- Heater standard in gearbox and optional in barrel.
- Optional remote focus available.



All Dimensions in Millimeters

Base fixings:

4 holes Ø12.5 on a 290 PCD

Weight - 25.2 Kgs

Performance Data * Inclusive angle

Volt's	Lamp life	Range (m)	PBCP x1000	*Div	Watts	Lamp Cap	Lamp Part Number
24v	300	1055	1113	2	150	GX6.35	D14795
24v	2000	1238	1532	3	250	GX6.35	D4695
24v	300	1490	2220	3	250	GX6.35	D9851
230v	750	905	820	5	650	GX9.5	D1813
115v	750	1000	1000	5	1000	GX9.5	D1809
230v	750	970	940	5	1000	GX9.5	D6715