



**L480 Issue 4
Tungsten Halogen
Manual Operation**

APPLICATION

The FRANCIS Lite range of searchlights incorporate the design features required to successfully operate searchlights in the most demanding product operating environments on land and sea. The L480 has excellent illumination characteristics, a powerful, focusable beam and is suitable for use on works boats, smaller cargo vessels and bridge wing projectors.

PART NUMBERS

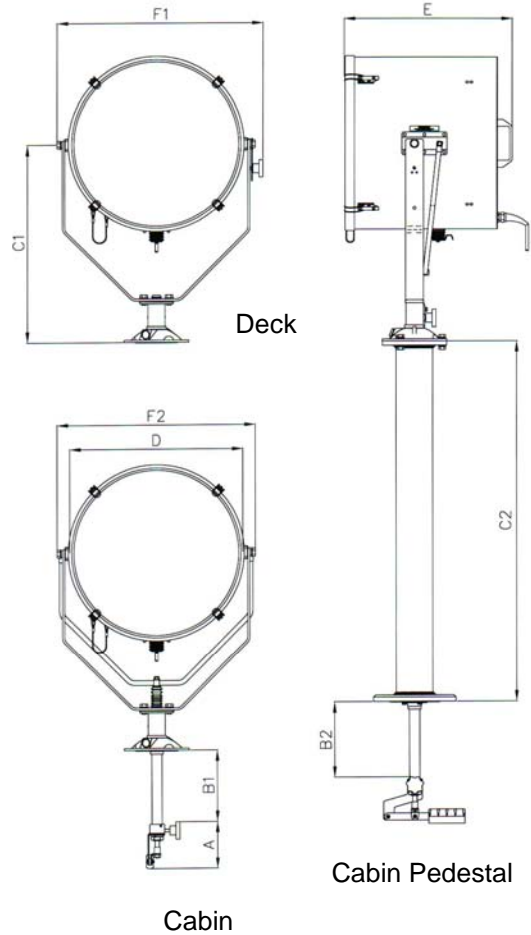
Type	Part Number
L480 Deck 1kw 110/240v	A2944
L480 Deck 2Kw 110/240v	A2948
Cabin Control Assembly	C20730-01
Deck Pedestal	C20719-79
Cabin Pedestal Assembly	C20737-01

SPECIFICATION

- Constructed from stainless steel.
- Parabolic formed aluminium reflector.
- Powder coated finish.
- External lamp focus adjustment.
- Toughened front glass.
- Spill rings to prevent unwanted glare & stray light.
- Tungsten Halogen light source.
- Sealing to IP66.
- Special "B1", "B2" & "C2" dimensions available on request.
- Full 450° rotation.
- Vertical movement +45° to - 45° (Deck/Deck Ped).
- Vertical movement +30° to - 25° (Cabin/Cabin Ped).
- Supplied in modular form to allow the customer any configuration possibility.

Performance Data * Inclusive angle

Volt's	Lamp life	Range (m)	PBCP x1000	*Div	Watts	Lamp Cap	Lamp Part Number
115v	400 hs	1533	2351	6.5	2000	GY16	D20390
230v	400 hs	1643	2701	6.5	2000	GY16	D20236
115v	750 hs	1440	2073	4.5	1000	GX9.5	D1809
230v	750 hs	1441	2078	4.5	1000	GX9.5	D6715



All Dimensions in Millimetres

Base fixings

Deck & Cabin. 3 holes Ø11 on a 154 PCD
 Deck Ped. & Cabin Ped 4 holes Ø12.5 on a 190 PCD
 Cabin & Cabin Ped. Central hole Ø75

Dimensions

A	B1	B2	C1	C2	D	E	F1	F2
130	199	211	550	1004	480	465	571	550

Weights

L480 Deck	19.5 Kgs
Cabin Control Assembly	2.50 Kgs
Deck Pedestal	5.00 Kgs
Cabin Pedestal Assembly	3.50 Kgs