



L560 Issue 4
Tungsten Halogen
Manual Operation

APPLICATION

The FRANCIS Lite range of searchlights incorporate the design features required to successfully operate searchlights in the most demanding product operating environments on land and sea.

The L560 has excellent illumination characteristics, a powerful, focusable beam and is suitable for use on works boats, smaller cargo vessels and bridge wing projectors.

PART NUMBERS

Type	Part Number
L560 Deck 3kw 110/240v	A2969
Cabin Control Assembly	C23348-01
Cabin Pedestal Control Assembly	C22786-01
Deck Pedestal	C22800-79

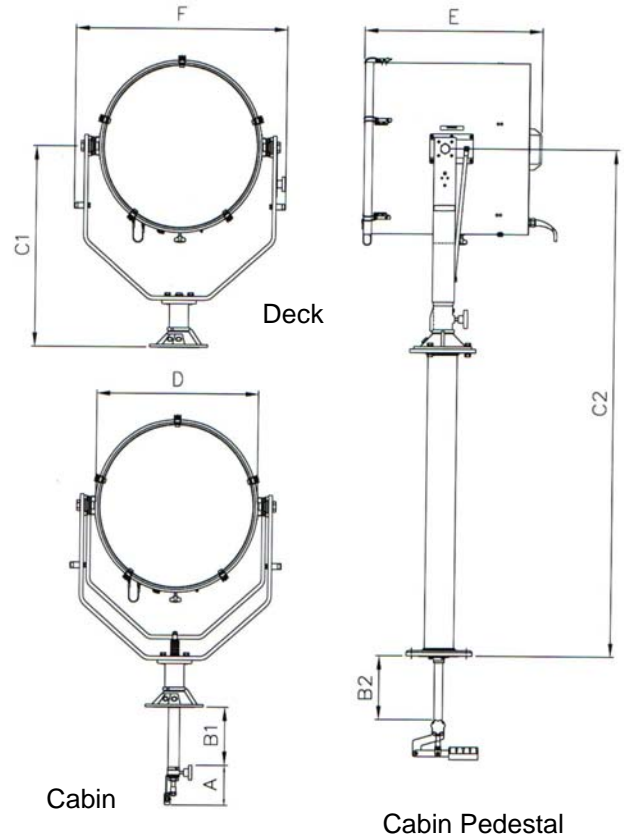
SPECIFICATION

- Constructed from Marine grade materials & fixings.
- Parabolic formed aluminium reflector.
- Powder coated finish.
- External lamp focus adjustment.
- Toughened front glass.
- Light shield to prevent unwanted glare & stray light.
- Tungsten Halogen light source.
- Sealing to IP66.
- Special B1, B2 and C2 dimensions available on request.
- Full 450° rotation.
- Vertical movement +30° to - 25°

PERFORMANCE DATA

Volt's	Lamp life	Range (m)	PBCP x1000	*Div	Watts	Lamp Cap	Lamp Part Number
115v	400 hrs	2450	4850	6.3	3000	G38	D9843
220/240v	400 hrs	2450	4850	6.3	3000	G38	D22559
115v	400 hrs	2030	3900	4.8	2000	G38	D1823
220/240v	400 hrs	2030	3900	4.8	2000	G38	D4604

*Inclusive angle



All dimensions in Millimeters

Base fixings

Deck & Cabin - 3 holes $\varnothing 11$ on a 174 PCD
 Cabin Pedestal - 4 holes $\varnothing 12.5$ on a 270 PCD
 Central hole: Cabin $\varnothing 52$, CP $\varnothing 95$

Dimensions

A	B1	B2	C1	C2	D	E	F1
130	190	210	659	1663	560	616	731

Weights

L560Deck 23.5 Kgs
 Cabin Control Assembly 10 Kgs
 Cabin Pedestal Assembly 20 Kgs