



LX300RC Issue 3
Xenon 300W Remote
Control, Variable Speed

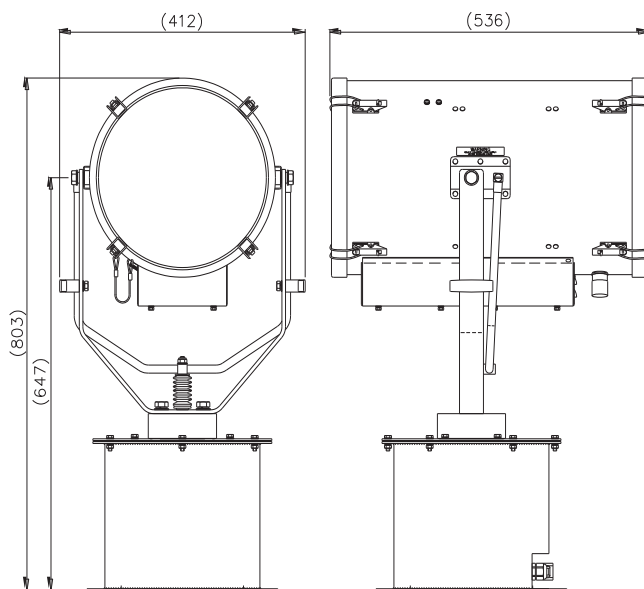


APPLICATION

The new FRANCIS LX Premium range of variable speed Remote Controlled Searchlights incorporate the design features required to successfully operate searchlights in the most demanding product operating environments on land and sea.

Francis Searchlights have developed and improved all remote controlled searchlights across the range still further by adding full variable speed, a new modern and sleek joystick control panel, using membrane and LED technology, offering RS485 interface and an auto home position setting, all at no extra cost.

The Xenon offers a colour temperature similar to daylight, and offers exceptional illumination, especially in polar regions and long range navigation.



SPECIFICATION

- Immediate full lamp brilliance from switch on.
- Instant re-strike. No "cooling" down time required.
- Toughened front glass.
- Parabolic super pure aluminium reflector
- Constructed from marine grade materials and fixings
- Powder coated and stove enamel paint finish.
- Remote pan rotation 385° with tilt /elevation control $\pm 40^\circ$.
- Variable speed LED joystick, with auto home position and RS485 connectivity.
- Variable Rotation Speed 1 to 20°/sec (Pan)
- Variable Elevation Speed 1 to 10°/sec (Tilt).
- Heaters fitted barrel and gearbox operational temp -50°
- Remote lamp focus, 1.5° spot to 10° flood.
- High quality Electronic PSU suitable for 50/60 Hz 1ph
- Sealing - IP66 Gearbox, IP56 Searchlight, PSU IP56
- Searchlight weight 30.5 kgs, Power supply weight 9kgs .

ALL DIMENSIONS IN MILLIMETRES

Base fixing details:

4 holes 12.5 \varnothing equi-spaced on a 290mm PCD
Joystick panel 120 x 120mm (106 x 106mm cutout)

PSU Dimensions : 405 x 330 x 217mm

Part Numbers

Type	Supply	Watts	Part No	Lamp No
LX300RC	230v	300w	A7045	D21908
LX300RC	115v	300w	A7046	D21908

VAC	Lamp life	Range @ 1 Lux	PBCP X 1000	Div	Watts
115/230v	1000 hrs	3487m	12,100	1.5°	300w

Francis Searchlights Limited
Union Road, Bolton, BL2 2HJ, UK
Tel 44 (0) 1204 558960 Fax 44 (0) 1204 558979
Email sales@francis.co.uk Web site www.francis.co.uk

For more information contact: